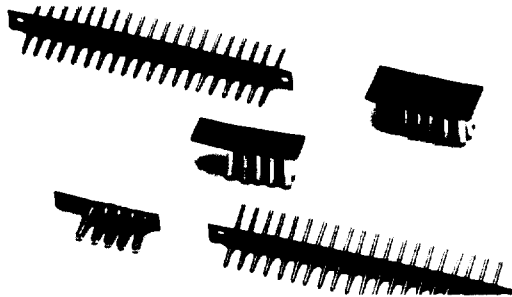


.050" (1.27mm) Pitch Board to Board Sockets



Features:

- Sockets are designed in mating pairs.
- .050" (1.27mm) centers pin to pin.
- Hi-rel screw machine terminals with closed end construction for 100% anti-wicking of solder.
- For surface mount board to board options consult factory.

Terminals and Contacts:

Terminal: Brass per QQ-B-626
 Contact: Beryllium Copper per QQ-C-533

Plating

Terminal: Gold over Nickel or Tin-Lead over Nickel
 Contact: Gold over Nickel or Tin-Lead over Nickel
 Gold per MIL-G-45204
 Tin-Lead per MIL-T-10727B
 Nickel per QQ-N-290

Body Materials:

Glass filled Thermoplastic Ployester (P.B.T.), U.L. Rated 94V-O, -60°C to 140°C (-76°F to 284°F)
 For high temp. glass filled thermoplastic Consult factory.
 Polyimide Film
 -269°C to 400°C (-452°F to 752°F)

How To Order - Female

KBS 010 -168 I G

Body Type
 SDS/DDS - Single/Dual Row Molded
 KBS - Single Row Peel-A-Way®
 KNS - Dual Row Peel-A-Way®
 DD/KDD - Dual Row - .100" (2.54mm) Pitch Between Rows
 KTS - Triple Row Peel-A-Way®

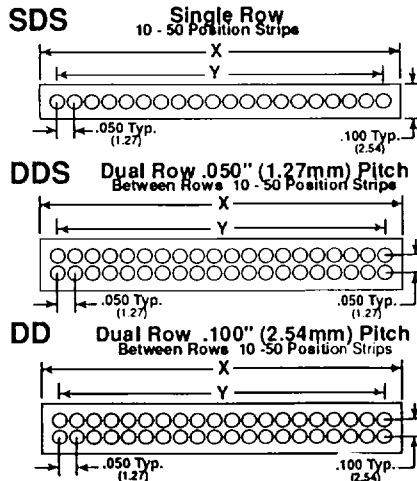
Number of Pins

Contact Plating
 G - Gold
 T - Tin-Lead

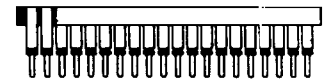
Terminal Plating
 G - Gold
 T - Tin-Lead

Terminal Type

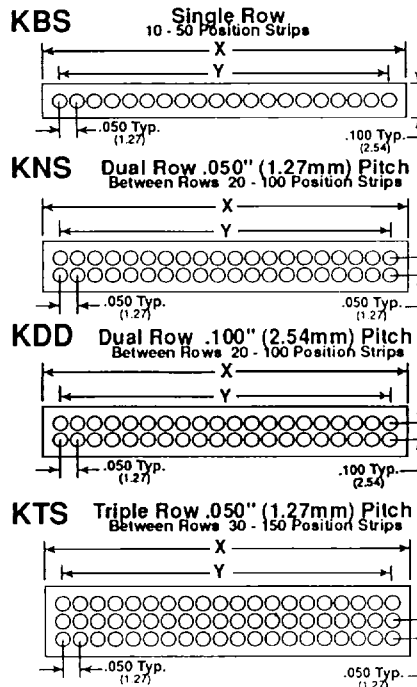
.050" (1.27mm) Pitch Molded Sockets



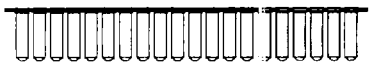
# of Pins Per Row	X	Y
10	.550 (13.97)	.450 (11.43)
20	1.050 (26.67)	.950 (24.13)
30	1.550 (39.37)	1.450 (36.83)
40	2.050 (52.07)	1.950 (49.53)
50	2.550 (64.77)	2.450 (62.23)



.050" (1.27mm) Pitch Peel-A-Way® Sockets



# of Pins Per Row	X	Y
10	.650 (16.51)	.450 (11.43)
20	1.150 (29.21)	.950 (24.13)
30	1.650 (41.91)	1.450 (36.83)
40	2.150 (54.61)	1.950 (49.53)
50	2.650 (67.31)	2.450 (62.23)



Terminal Information Female Terminal "C"

